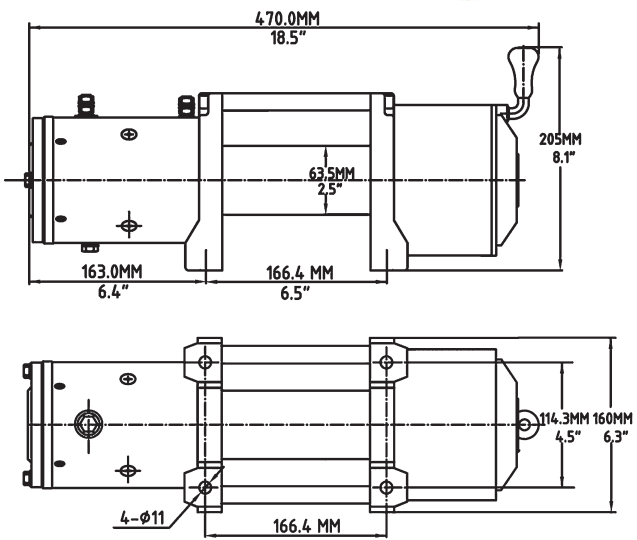


6500LB ELECTRIC WINCH SPOOLED WITH **WIRE CABLE**



TMAEW6500 Features & Specifications:

Rated Line Pull	6500Lb (2950Kg) Single Line
Motor	6.6Hp 12V, Series Wound
Control	Remote Switch with 12' (3.7m) Lead
Solenoid Style	Integrated Solenoid Module (ISM)
Gear Train	3 Stage Planetary
Gear Ratio	172.8:1
Clutch	Shift Pin Ring Gear
Braking	Automatic In-The-Drum
Drum Size	Diameter x Length 2.5" x 5.35" (63.5mm x 135mm)
Wire Cable	Diameter x Length 9/32" x 80' (7.2mm x 24m)
Recommended Battery	650CCA Minimum for Winching
Battery Leads	25mm ² , 72" (1.83m)
Weight	66Lb (30kg)
Overall Dimensions	(LxWxH) 18.05" x 6.3" x 8.1" (470 x 160 x 205mm)
Mounting Bolt Pattern	6.55±0.0151N x 4.50±0.01N (166.4 x 114.3mm)
Fairlead	4-Way Roller Fairlead
Finish	Gun Metal Grey

TMAEW6500 Line Pull & Cable Capacity

Layer of Cable	1	2	3	4	5
Rated Line	Lbs 6500	5884	5406	5070	4790
Pull per Layer	Kg 2950	2666	2450	2300	2170
Cumulative	Ft 14	30	48	69	80
Cable capacity	m 4	9	14.5	21	24

Line Speed & Amp Draw-First Layer

Line Pull	Lbs	NO	1500	3000	4500	6000	6500
	Kg	LOAD	680	1360	2040	2720	2950
Line Speed	ft/min		37.7	19.7	16.4	11.8	9.1
	m/min		11.5	6.0	5.0	3.6	2.8
Motor Current	Amps		90	180	230	340	390
						430	