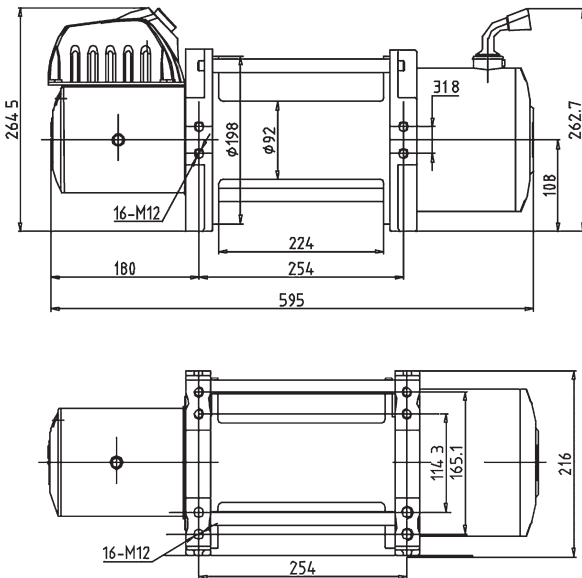


15000LB 12V ELECTRIC WINCH SPOOLED WITH **WIRE CABLE**



**OFF ROAD
SERIES**



TMAEW15000 Features & Specifications:

| | |
|-----------------------|--|
| Rated Line Pull | 15000Lb (6800Kg) Single Line |
| Motor | 6.6Hp 12V Series Wound; 6.6Hp 24V Series Wound |
| Control | Remote Switch, 12' Lead (3.7m) |
| Gear Train | 4 Stage Planetary |
| Gear Ratio | 355:1 |
| Clutch | Sliding Ring Gear |
| Braking | Automatic In-The-Drum |
| Drum Size | Diameter x Length 3.62" x 8.82" (92mm x 224mm) |
| Wire Cable | Diameter x Length 13/32" x 94' (10.5mm x 28.5m) |
| Recommended Battery | 650CCA Minimum for Winching |
| Battery Leads | 25mm ² , 72" (1.83m) |
| Weight | 143Lb (65kg) |
| Overall Dimensions | (LxWxH) 23.4" x 8.4" x 10.3" (595 x 214 x 262mm) |
| Mounting Bolt Pattern | 10.00±0.0151N x 4.50±0.01N (254 x 114.3mm) |
| Mounting Bolt Pattern | 10.00±0.0151N x 6.50±0.01N (254 x 165.1mm) |
| Fairlead | 4-Way Roller Fairlead |
| Finish | Gun Metal Grey |

TMAEW15000 Line Pull & Cable Capacity

| Layer of Cable | 1 | 2 | 3 | 4 |
|----------------|-----------|-------|-------|------|
| Rated Line | Lbs 15000 | 12500 | 10638 | 9420 |
| Pull per Layer | Kg 6800 | 5665 | 4820 | 4269 |
| Cumulative | Ft 20 | 46 | 75 | 92 |
| Cable capacity | m 6 | 14 | 23 | 28 |

ALSO AVAILABLE AS

24 Volt • TMAEW15000-24V

Line Speed & Amp Draw-First Layer

| Line Pull | Lbs | NO | 3000 | 6000 | 9000 | 12000 | 15000 | |
|--------------------|--------|------------|-------------|-------------|------------|------------|------------|------------|
| | Kg | LOAD | 906 | 1814 | 2720 | 5440 | 6800 | |
| Line Speed | ft/min | 12V | 25.6 | 11.2 | 7.9 | 6.6 | 5.4 | 4.4 |
| | ft/min | 24V | 29.5 | 13.4 | 9.3 | 7.9 | 6.6 | 5.2 |
| | m/min | 12V | 7.8 | 3.4 | 2.4 | 2.0 | 1.7 | 1.4 |
| | m/min | 24V | 9.0 | 4.0 | 2.9 | 2.4 | 2.0 | 1.6 |
| Motor Current Amps | 12V | 45 | 130 | 220 | 295 | 380 | 450 | |
| | Amps | 24V | 30 | 60 | 100 | 130 | 170 | 200 |