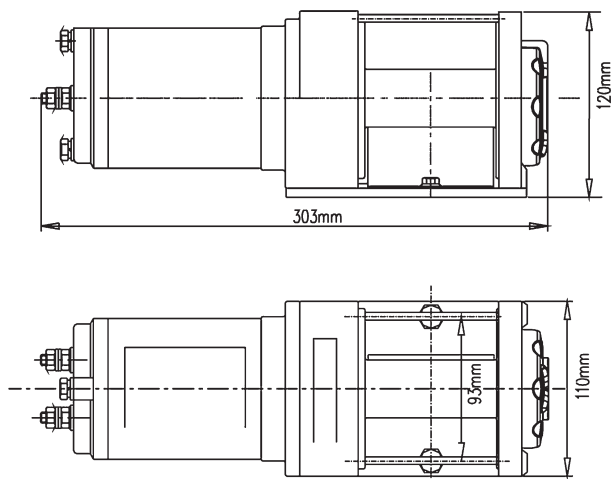


**3000LB 12V ELECTRIC WINCH** SPOOLED WITH **WIRE CABLE**



**TMAEW3000 Features & Specifications:**

Rated Line Pull	3000Lb (1361Kg) Single Line
Motor	12 V DC 1.1hp (Permanent Magnet)
Control	Remote Control Included
Gear Ratio	153:1
Clutch	Turn 90° By Handwheel
Braking	No
Drum Size	Diameter x Length 1.61" x 2.9" (41mm x 74mm)
Wire Cable	Diameter x Length 1/5" x 50' (5.1mm x 15.2m)
Recommended Battery	12Amp/Hour Minimum
Weight	29Lb (12kg)
Overall Dimensions	(LxWxH) 12.35" x 7.40" x 4.72" (313 x 188 x 120mm)
Mounting Bolt Pattern	3.67" (93mm)
Fairlead	Roller Fairlead

**TMAEW3000 Line Pull & Cable Capacity**

Layer of Cable	1	2	3	4	5	6
Rated Line	Lbs 3000	2400	2000	1714	1500	1330
Pull per Layer	Kg 1361	1090	907	778	680	600
Cumulative	Ft 5.9	13.7	22.6	32.8	44.2	50.0
Cable capacity	m 1.8	4.7	6.9	10.0	13.5	15.2

**Line Speed & Amp Draw-First Layer**

Line Pull	Lbs	NO	500	1000	2000	2500	3000
	Kg	LOAD	227	454	907	1134	1361
Line Speed	ft/min	26	17.4	12.1	9.5	8.0	6.8
	m/min	8	5.3	3.7	2.9	2.5	2.0
Motor Current	Amps	20	35	52	120	153	185