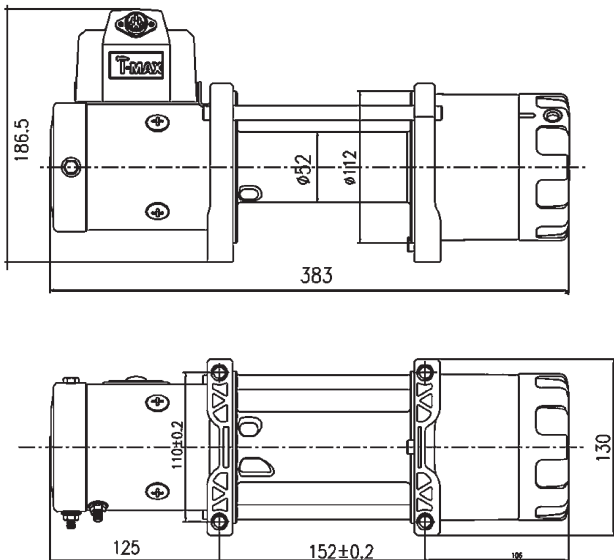


6000LB 12V ELECTRIC WINCH SPOOLED WITH **WIRE CABLE**



**•ATV•
PRO
SERIES**



TMAEW6000PRO Features & Specifications:

Rated Line Pull	6000Lb (2720Kg) Single Line
Motor	12V DC 1.4KW (Permanent Magnet)
Control	Remote Control Included
Gear Ratio	189:1
Clutch	Turn 90° By Handwheel
Braking	EBT (Eccentric Block Type)
Drum Size	Diameter x Length 2.08" x 5.33" (53mm x 128mm)
Wire Cable	Diameter x Length 17/64" x 66' (6.8mm x 18m)
Recommended Battery	650CCA Minimum for Winching
Weight	35Lb (16kg)
Overall Dimensions	(LxWxH) 15.08" x 5.12" x 7.32" (383 x 130 x 186mm)
Mounting Bolt Pattern	6.02" x 4.33" (153 x 110mm)
Fairlead	Roller Fairlead

TMAEW6000PRO Line Pull & Cable Capacity

Layer of Cable	1	2	3	4
Rated Line	Lbs 6000	4850	4075	2775
Pull per Layer	Kg 2720	2200	1850	1260
Cumulative	Ft 11	25	41	59
Cable capacity	m 3.4	7.6	12.5	18

Line Speed & Amp Draw-First Layer

Line Pull	Lbs	NO	1000	2000	3000	4000	5000	6000
	Kg	LOAD	454	907	1360	1814	2270	2720
Line Speed	ft/min	19.6	11.5	9.8	8.5	7.2	4.9	4.3
	m/min	6.0	3.5	3.0	2.6	2.2	1.5	1.3
Motor Current	Amps	40	76	121	160	185	210	240