

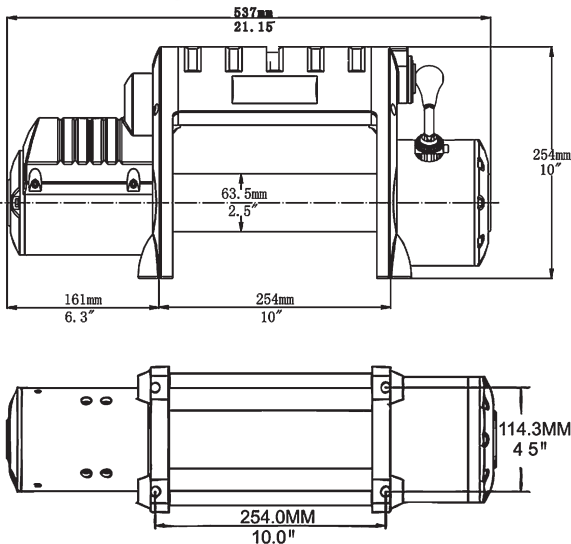
**10000LB 12V ELECTRIC WINCH** SPOOLED WITH **WIRE CABLE**

**Wireless Remote Control Model**

**Steel Encased Wireless Remote Control**  
built into winch bridge with Integrated Solenoid Module (ISM).



**OUTBACK SERIES**



**TMAEWI-10000CR Features & Specifications:**

Rated Line Pull	10000Lb (4532Kg) Single Line
Motor	6.6Hp 12V Series Wound; 6.6Hp 24V Series Wound
Control	Wireless Remote Multi-Control
Gear Train	3 Stage Planetary
Gear Ratio	218:1
Clutch	Sliding Ring Gear
Braking	Automatic In-The-Drum
Drum Size	Diameter x Length 2.52" x 8.82" (64mm x 224mm)
Wire Cable	Diameter x Length 23/64" x 100' (9.2mm x 30m)
Recommended Battery	650CCA Minimum for Winching
Battery Leads	25mm <sup>2</sup> , 72" (1.83m)
Weight	95Lb (43kg)
Overall Dimensions	(LxWxH) 21.15" x 6.3" x 10.0" (537 x 160 x 254mm)
Mounting Bolt Pattern	10.00±0.0151N x 4.50±0.01N (254 x 114.3mm)
Fairlead	4-Way Roller Fairlead
Finish	Gun Metal Grey

**TMAEWI-10000CR Line Pull & Cable Capacity**

Layer of Cable	1	2	3	4
Rated Line	Lbs 10000	8630	7720	7090
Pull per Layer	Kg 4533	3911	3499	3213
Cumulative	Ft 16	42	72	94
Cable capacity	m 5	12	21	28

ALSO AVAILABLE AS

**24 Volt • TMAEWI-10000CR-24V**

**Line Speed & Amp Draw-First Layer**

Line Pull	Lbs	NO	2000	4000	6000	8000	10000	
	Kg	LOAD	906	1813	2719	3626	4532	
Line Speed	ft/min	12V	28.7	16.5	12.6	9.4	8.8	6.4
	ft/min	<b>24V</b>	<b>32.8</b>	<b>17.3</b>	<b>14.1</b>	<b>10.7</b>	<b>9.5</b>	<b>8.0</b>
	m/min	12V	8.7	5.0	3.8	2.9	2.7	2.0
	m/min	<b>24V</b>	<b>10.0</b>	<b>5.3</b>	<b>4.3</b>	<b>3.3</b>	<b>2.9</b>	<b>2.4</b>
Motor Current	Amps	12V	65	140	210	285	360	410
	Amps	<b>24V</b>	<b>45</b>	<b>80</b>	<b>120</b>	<b>155</b>	<b>180</b>	<b>215</b>