

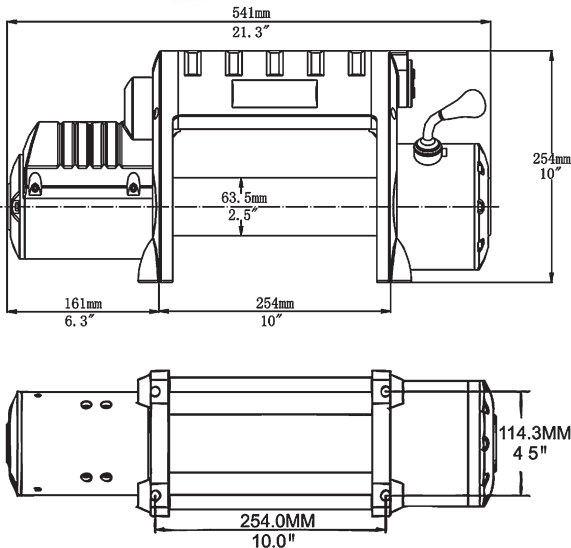
**12000LB 12V ELECTRIC WINCH SPOOLED WITH WIRE CABLE**

**Wireless Remote Control Model**

**Steel Encased Wireless Remote Control**  
built into winch bridge with Integrated Solenoid Module (ISM).



**OUTBACK SERIES**



**TMAEWI-12000CR Features & Specifications:**

Rated Line Pull	12000Lb (5440Kg) Single Line
Motor	6.6Hp 12V Series Wound; 6.6Hp 24V Series Wound
Control	Wireless Remote Multi-Control
Gear Train	3 Stage Planetary
Gear Ratio	265:1
Clutch	Sliding Ring Gear
Braking	Automatic In-The-Drum
Drum Size	Diameter x Length 2.52" x 8.82" (64mm x 224mm)
Wire Cable	Diameter x Length 23/64" x 100' (9.2mm x 30m)
Recommended Battery	650CCA Minimum for Winching
Battery Leads	25mm <sup>2</sup> , 72" (1.83m)
Weight	95Lb (43kg)
Overall Dimensions	(LxWxH) 21.3" x 6.3" x 10.0" (541 x 160 x 254mm)
Mounting Bolt Pattern	10.00±0.0151N x 4.50±0.01N (254 x 114.3mm)
Fairlead	4-Way Roller Fairlead
Finish	Gun Metal Grey

**TMAEWI-12000CR Line Pull & Cable Capacity**

Layer of Cable	1	2	3	4	5
Rated Line	Lbs 12000	10270	9200	8450	8050
Pull per Layer	Kg 5440	4654	4169	3830	3648
Cumulative	Ft 17	38	65	94	100
Cable capacity	m 4.8	11.5	20	28	30

ALSO AVAILABLE AS

**24 Volt • TMAEWI-12000CR-24V**

**Line Speed & Amp Draw-First Layer**

Line Pull	Lbs	NO	2000	4000	6000	8000	10000	12000	
			Kg	LOAD 906	1813	2719	3630	4532	5440
Line Speed	ft/min	12V	23.5	13.5	11.1	9.4	7.7	6.8	5.4
		<b>24V</b>	<b>26.4</b>	<b>15.1</b>	<b>13.1</b>	<b>10.9</b>	<b>9.7</b>	<b>8.3</b>	<b>7.2</b>
	m/min	12V	7.1	4.1	3.4	2.8	2.4	2.1	1.6
		<b>24V</b>	<b>8</b>	<b>4.6</b>	<b>4</b>	<b>3.3</b>	<b>2.9</b>	<b>2.5</b>	<b>2.2</b>
Motor Current	Amps	12V	65	120	160	215	270	320	370
		<b>24V</b>	<b>45</b>	<b>80</b>	<b>105</b>	<b>135</b>	<b>160</b>	<b>190</b>	<b>220</b>